



3G effluent disinfection modules

Advanced UV solutions for
disinfecting effluent water.

- No chemical consumption
- Short contact time
- Dosage > 55 mJ/cm²
- Low energy requirements
- No moving parts
- Pressure drop < 0.5" of water

UVO3

UV DISINFECTION SPECIALISTS

uvo3.co.uk

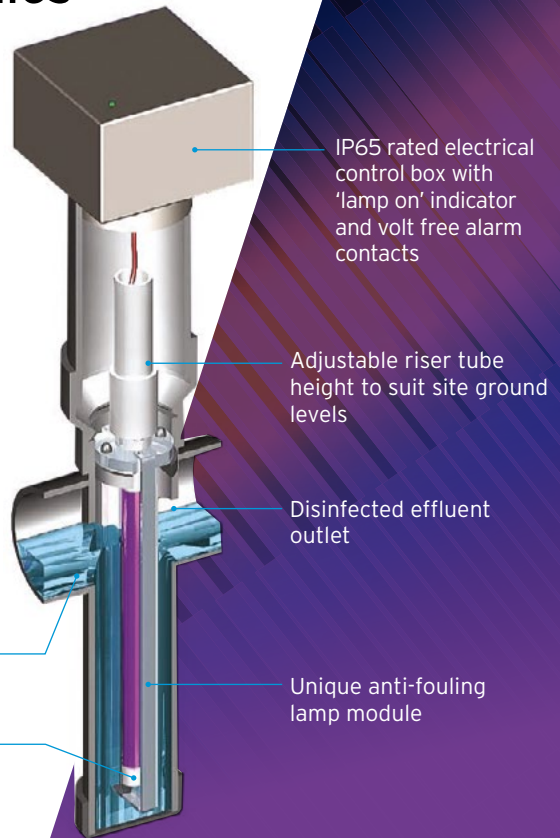
3G effluent disinfection modules

UV light is an effective wastewater disinfection method. Our 3G UV units have several inherent advantages over other disinfection techniques.

Standard on-site wastewater treatment units generally do a good job of removing suspended solids, BOD and total nitrogen.

But while they reduce the concentration of pathogenic bacteria, viruses and parasites, additional disinfection is often required. Ultra-violet (UV) can provide that finishing touch.

Due to its modular design, 3G effluent disinfection modules can easily be joined together in series or parallel configurations to provide larger effluent treatment capacity.



Effluent from treatment plant

Buried UV treatment chamber

IP65 rated electrical control box with 'lamp on' indicator and volt free alarm contacts

Adjustable riser tube height to suit site ground levels

Disinfected effluent outlet

Unique anti-fouling lamp module

Model	Maximum Treatment Capacity		Power Consumption (110 or 230V versions available)	Bacterial Kill Rate
	TSS < 30 mg/l & BOD5 < 30 mg/l	TSS < 10 mg/l & BOD5 < 10 mg/l		
1 x 3G Module	0.67m ³ /hr	1.33m ³ /hr	45W	99.9%
2 x 3G Modules (series or parallel configuration)	1.33m ³ /hr	2.67m ³ /hr	90W	99.9%
4 x 3G Modules (series and parallel configuration)	2.67m ³ /hr	5.34m ³ /hr	180W	99.9%

Contact the UVO3 team:
Tel **+44 (0)1480 355 446**
Email **sales@uvo3.co.uk**

uvo3.co.uk

UVO3
UV DISINFECTION SPECIALISTS